

TFS Series

+



○ Care-motion ○ Auto-motion

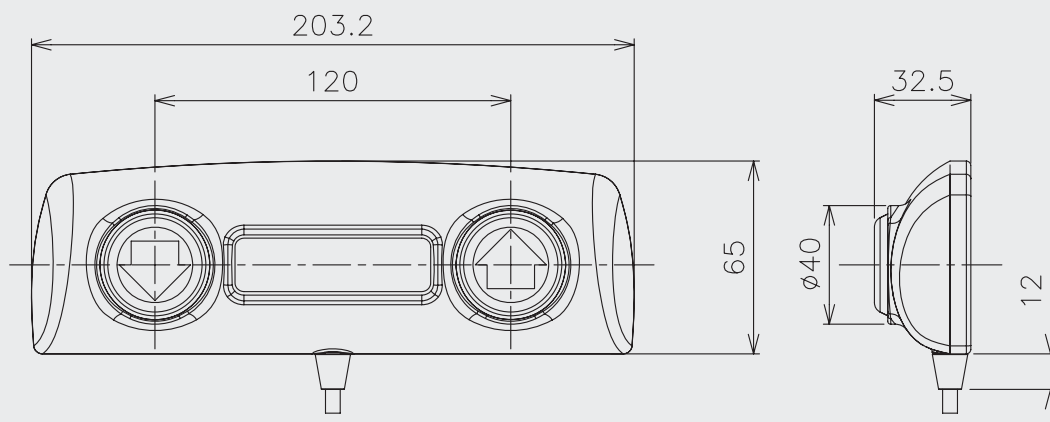
Feature

- Compatible with all TiMOTION TC-series control boxes
- Anti-slipping pad on the bottom
- EN60601-1, UL2601-1 approval

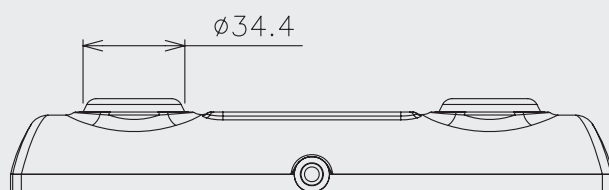
Options

- Customized logo in the middle

+



+



TFS Ordering Key

Version: D

REV.D	T	F	S	-	X	X	X	X
Plug								
DIN 8P, 90°, for TC2 / TC3 / TC7					1			
RJ 10P, 90°, for TC1 / TC8 / TC10					2			
DIN 8P, 180°, for extension cable					4			
RJ 10P, 180°, for TC6 / TC9 / extension cable					5			
Customized					A			
Arrow keys								
Left-Up; Right-Down (black)						4		
Color								
Black							1	
Grey (Pantone 428C)							2	
Cable Length								
Straight, 1.5m								1
Straight, 2m								2
Customized								A

Version	Date	Notes
D	2011/8/30	Amend arrow keys option

Printed: Nov.2011