

# TYC Series

+

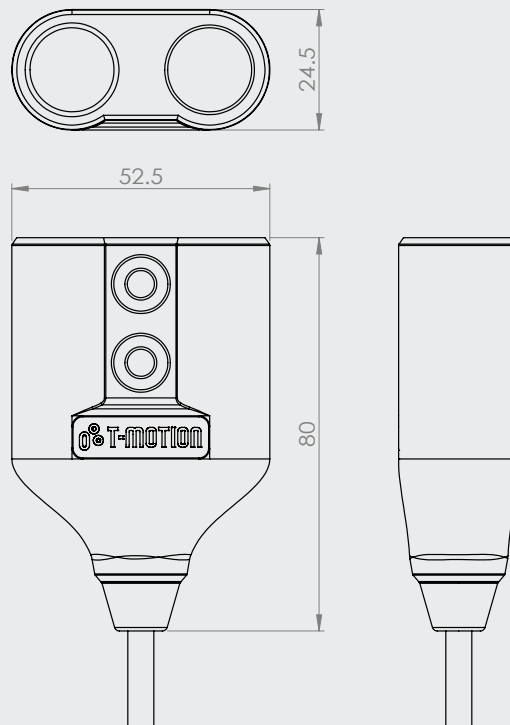
○ Comfort-motion ○ Care-motion

## Feature

- Extension cable for multiple handsets/motors
- Compact design



+



+

# TYC Ordering Key

Version: A

REV.A	Section 1 (right side)					Section 2	Section 3
TYC- X- X X X X X- XXXX- XXXX- XXXX- XXXX							
<b>Color</b>							
Black	1						
Gray (Pantone 428C)	2						
<b>Connector</b>							
Female	0						
Male	1						
<b>Angle of connector</b>							
90° (as shown on right side)		1					
180° (as shown on left side)		2					
<b>Type of Connector</b>							
DIN 4P				1			
DIN 5P(240°)				2			
DIN 5P(180°)				3			
DIN 6P				4			
DIN 8P(270°)				5			
big 01				6			
small 01				7			
RJ 10P				8			
small DIN 5P				9			
Customized				A			
<b>O Ring ( for male connector)</b>							
without				0			
red				1			
yellow				2			
blue				3			
black				4			
white				5			
<b>Anti pulling buckle (for female connector)</b>							
without				0			
with				1			
<b>Cable length</b>							

Version	Date	Description
A	2011/7/22	1st released

Printed: Nov. 2011

<Example>

TYC- 2 - 1 1 8 0 0 - 0 5 8 0 - 0 2 8 0 0 - 1 5 0 0 - 0 2 8 0 0 - 1 5 0 0

