

# TA1 Series

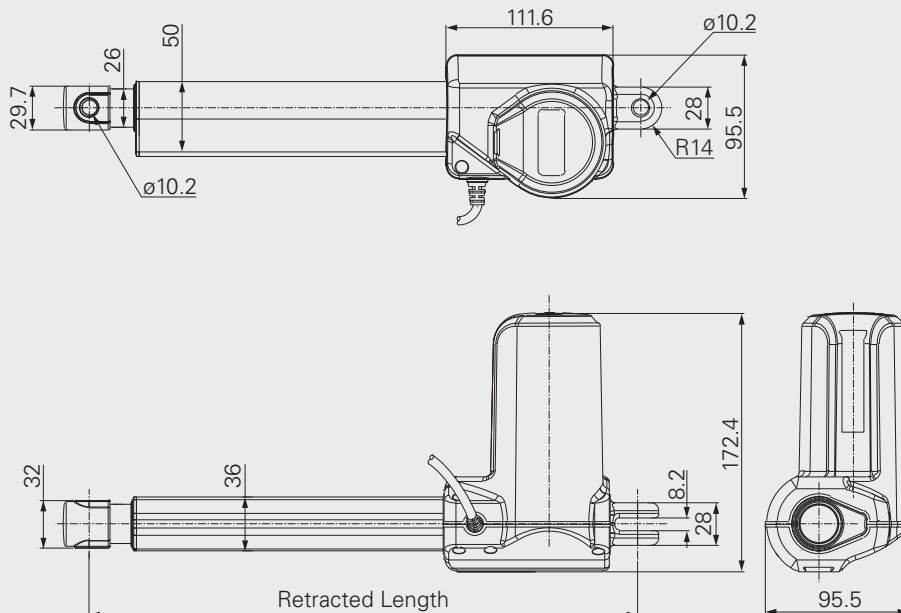


Comfort-motion  
  Care-motion  
  Auto-motion  
  Ergo-motion

## Feature

- Voltage of motor: 12V DC, 24V DC, or 36V DC
- Maximum load: 10,000N in push
- Maximum load: 4,000N in pull
- Maximum speed: 38.4mm/s
- Minimum installation dimension: stroke+163mm
- Color: black or grey
- Protection class: IP42, IP54, IP66, or without housing
- Certificate: CB, EMC, RoHS, UL60601-1, and EN60601-1
- Options: freewheeling push only, safety nut, quick release, Hall/Reed sensor

Appendix						
CODE	Rated Load		SELF LOCKING G KG (PUSH)	Typical Current at Rated Load (A)	Typical Speed	
	PUSH KG	PULL KG			No Load (32VDC) mm/s	Rated Load (24VDC) mm/s
Standard Motor (2600RPM)						
C	500	400	250	3.6	7.2	3.9
D	600	400	400	3.5	5.5	2.9
E	350	350	150	3.2	9.6	5.9
F	250	250	100	3.4	14.4	8.9
G	200	200	100	3.8	19.2	10.8
H	100	100	50	3.4	28.8	17.6
J	350	350	350	3.8	9.6	5.7
K	800	400	600	4	4.5	2.5
Fast Motor (3400RPM)						
L	600	400	400	4.4	7.3	3.9
M	350	350	150	4.0	12.8	8.1
N	250	250	100	4.2	19.2	11.8
O	200	200	100	4.6	25.6	13.8
P	100	100	50	4.2	38.4	23.4
Q	350	350	350	4.6	12.8	7.6
R	800	400	600	5	6.5	3.3
T	500	400	250	4.2	9.7	5.1
Long Motor (3800RPM)						
X	600	400	400	4.4	7.8	5.2
Y	800	400	600	5.3	7	4.4
B	1000	400	1000	6.3	5.5	2.7



# TA1 Ordering Key:

Version: K

REV. K	T	A	1	-	X	X	-	X	X	X	-	X	X	X	X	-	X	X	X	X	X	X	X	X		
<b>Voltage</b>																										
12V																									1	
24V																										2
36V																										3
<b>Load and speed</b>																										
See Appendix																										
<b>Stroke</b>																										
<b>Retracted length</b>																										
Stroke+163mm (For front attachment 1,2,5,6)																										
Stroke+180mm (For front attachment 3,4,B,C)																										
Stroke+175mm (For front attachment 7, 8)																										
Stroke+187mm (For quick release, front attachment 1, 2, 5, 6)																										
Stroke+204mm (For quick release, front attachment 3,4,B,C)																										
Stroke+199mm (For quick release, front attachment 7,8)																										
<b>Rear attachment</b>																										
Plastic, slot 8.2mm, hole 10.2mm (Recommended for push under 400KG & pull under 250kg application)																										
Plastic, slot 8.2mm, hole 12.2mm (Recommended for push under 400KG & pull under 250kg application)																										
Casting, slot 8.2 mm, hole 10.2mm																										
Casting, slot 8.2 mm, hole 12.2mm																										
Casting, slot 10.2 mm, hole 10.2mm																										
Casting, slot 10.2 mm, hole 12.2mm																										
<b>Front attachment</b>																										
Punched hole on the tube with plastic cover on, width 32mm, hole 10.2mm																										
Punched hole on the tube with plastic cover on, width 32mm, hole 12.2mm																										
Plastic attachment, width 30mm, with slot 8.2mm, hole 10.2mm(Recommended for push under 400KG & pull under 250kg application)																										
Plastic attachment, width 30mm, with slot 8.2mm, hole 12.2mm(Recommended for push under 400KG & pull under 250kg application)																										
Punched hole on the tube, width 26mm, hole 10.2mm																										
Punched hole on the tube, width 26mm, hole 12.2mm																										
Short casting attachment, width 26mm, with slot 6.2mm, hole 10.2mm																										
Short casting attachment, width 26mm, with slot 6.2mm, hole 12.2mm																										
Long casting attachment, width 30mm, with slot 8.2mm, hole 10.2mm																										
Long casting attachment, width 30mm, with slot 8.2mm, hole 12.2mm																										
Customized																										
<b>Direction of rear attachment</b>																										
0°																										
45°																										
90°																										
135°																										
<b>Color</b>																										
Black																										
Grey (Pantone 428C)																										
<b>IP protection</b>																										
IP42																										
IP54																										
IP66																										
Without housings																										
<b>Quick release</b>																										
Without																										
Cable (standard)																										
Handle																										
<b>Special functions for spindle sub-assembly</b>																										
Without(standard)																										
Safety nut																										
Standard push only																										
Safety nut and standard push only																										
Freewheeling push only (retracted length will be extended by 15mm)																										
Safety nut and freewheeling push only (retracted length will be extended by 15mm)																										
<b>Functions for limit switches</b>																										
Two switches at the retracted/extended positions to cut current.																										
Two switches at the retracted/extended positions to cut current with the third one in between to send signal.																										
Two switches at the retracted/extended positions to send signal.																										
Two switches at the retracted/extended positions and the third one in between to send signal.																										
Customized																										
<b>Output signals</b>																										
Without																										
Hall sensor																										
Reed Sensor																										
<b>Plug</b>																										
TiMOTION's standard 6pin plug																										
Tinned leads																										
Customized																										
<b>Cable length</b>																										
Straight, 500mm																										
Straight, 750mm																										
Straight, 1000mm																										
Straight, 1250mm																										
Straight, 1500mm																										
Straight, 2000mm																										
Coiled, 200mm																										
Coiled, 400mm																										
Customized																										

Version	Date	Description
K	2010/9/6	Add handle QR