

TA2 Series



Auto-motion

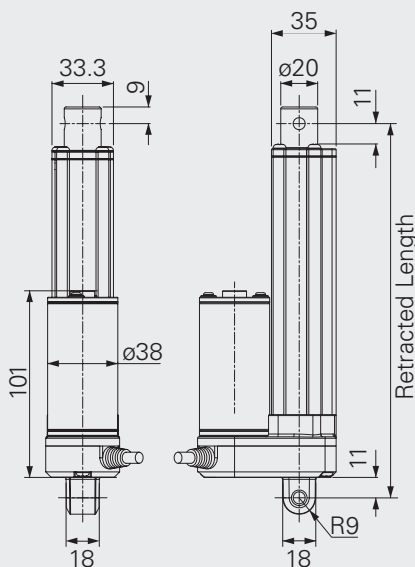
Feature

- Voltage of motor: 12V DC, 24V DC, 36V DC, or 48V DC
- Maximum load: 1,000N in pull/push
- Maximum speed: 64mm/s
- Minimum installation dimension: stroke+105mm (without output signals)
- Minimum installation dimension: stroke+135mm (with output signals)
- Color: silver
- Certificate: EMC and RoHS
- Options: Potentiometer, Optical, Hall/Reed sensor
- Compact size for limited space

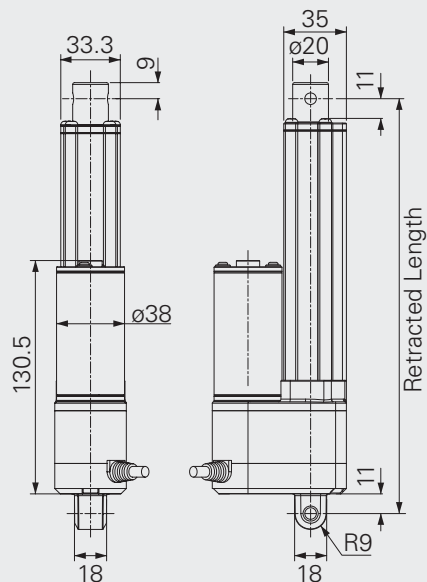
Appendix

CODE	GEAR RATIO	MAX. LOAD (PULL/PUSH) N	MAX. CURRENT AT FULL LOAD 12V	MAX. CURRENT AT FULL LOAD 24V	SPEED AT NO LOAD	SPEED AT FULL LOAD 12V	SPEED AT FULL LOAD 24V
A	5:1	120	2.2	1.2	44	33	32
B	10:1	240	2.2	1.2	22	15	16
C	20:1	500	2	1	11	8	8.8
D	30:1	750	2	1	7.5	5.5	6.2
E	40:1	1000	2	1	5.5	4	4.5
F	5:1	120	3.4	1.8	64	49.5	47
G	10:1	240	3.4	1.8	32	22.5	23.6
H	20:1	500	3	1.5	16	12	13
K	30:1	750	3	1.5	10	8	9
L	40:1	1000	3	1.5	8	6	6.5

Dimension standard



Dimension with Potentiometer, and Hall sensor



TA2 Ordering Key:

Version: G

REV.G	T	A	2	X	X	-	X	X	X	X	-	X	X	X	-	X	X	X
Voltage																		
12V				1														
24V				2														
36V				3														
48V				4														
Load and speed																		
See Appendix																		
Stroke																		
See Appendix																		
Retracted length																		
See Appendix																		
Rear attachment																		
Hole 6.4mm																		1
Hole 8mm																		2
Hole 10mm																		3
Slot 6mm,Hole 6.4mm																		4
Slot 6mm,Hole 8mm																		5
Slot 6mm,Hole 10mm																		6
Customized																		A
Front attachment																		
Hole 6.4mm																		1
Hole 8mm																		2
Slot 6mm,Hole 10mm																		3
Slot 6mm,Hole 6.4mm																		4
Slot 6mm,Hole 8mm																		5
Customized																		A
Direction of rear attachment																		
90°																		1
0°																		2
Functions for limit switches																		
Two switches at the retracted/extended positions to cut current.																	1	
Two switches at the retracted/extended positions to cut current with the third one in between to send signal.																	2	
Two switches at the retracted/extended positions to send signal.																	3	
Two switches at the retracted/extended positions and the third one in between to send signal.																	4	
Customized																	A	
Output signals																		
Without																	0	
Potentiometer																	1	
Optical																	2	
Reed																	3	
One hall sensor																	4	
Two hall sensors																	5	
Plug																		
TiMOTION's standard 6pin plug																	1	
Tinned leads																	2	
Customized																	A	
Cable length																		
Straight, 300mm																	1	
Straight, 600mm																	2	
Straight, 1000mm																	3	
Customized																	A	

Version	Date	Description
G	2012/3/6	Minor adjustments.

Appendix:

Printed: Mar. 2012

Minimum Retracted Length

For front attachment 1,2 with rear attachment 1,2,3		
STROKE	WITHOUT OUTPUT SIGNALS	WITH OUTPUT SIGNALS
25~50mm	STROKE+105mm	STROKE+135mm
51~100mm		
101~150mm		
151~200mm	STROKE+107mm	STROKE+137mm
201~250mm		
251~300mm		
For front attachment 3,4,5 with rear attachment 1,2,3		
STROKE	WITHOUT OUTPUT SIGNALS	WITH OUTPUT SIGNALS
25~50mm	STROKE+115mm	STROKE+145mm
51~100mm		
101~150mm		
151~200mm	STROKE+117mm	STROKE+147mm
201~250mm		
251~300mm		

For front attachment 1,2 with rear attachment 4,5,6		
STROKE	WITHOUT OUTPUT SIGNALS	WITH OUTPUT SIGNALS
25~50mm	STROKE+109mm	STROKE+139mm
51~100mm		
101~150mm		
151~200mm	STROKE+111mm	STROKE+142mm
201~250mm		
251~300mm		
For front attachment 3,4,5 with rear attachment 4,5,6		
STROKE	WITHOUT OUTPUT SIGNALS	WITH OUTPUT SIGNALS
25~50mm	STROKE+119mm	STROKE+149mm
51~100mm		
101~150mm		
151~200mm	STROKE+121mm	STROKE+151mm
201~250mm		
251~300mm		