

TA2P Series

Auto-motion

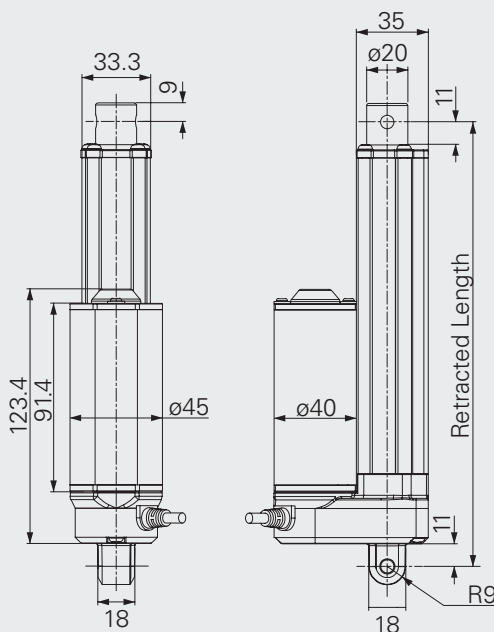
Feature

- Voltage of motor: 12V DC, 24V DC, 36V DC, or 48V DC
- Maximum load: 2,000N in pull/push
- Maximum speed: 55mm/s
- Minimum installation dimension: stroke+105mm (without output signals)
- Minimum installation dimension: stroke+135mm (with output signals)
- Color: silver
- Options: Potentiometer, Optical, Hall/Reed sensor



Appendix						
CODE	GEAR RATIO	MAX. LOAD (PULL/PUSH) N	MAX. CURRENT AT FULL LOAD 12V	MAX. CURRENT AT FULL LOAD 24V	SPEED AT NO LOAD	SPEED AT FULL LOAD
Motor Speed=5200RPM						
A	20:1	250	4.4	2.2	43	36
B	20:1	500	4.4	2.2	28	24
C	20:1	1000	4.4	2.2	14	12
D	30:1	1500	4.4	2.2	9.3	8
E	40:1	2000	4.4	2.2	7	6
Motor Speed=6600RPM						
F	20:1	250	5.6	2.8	55	46
G	20:1	500	5.6	2.8	35	30
H	20:1	1000	5.6	2.8	18	15
K	30:1	1500	5.6	2.8	12	10.3
L	40:1	2000	5.6	2.8	9	7.5

Dimension standard



Dimension with Potentiometer, and Hall sensor

