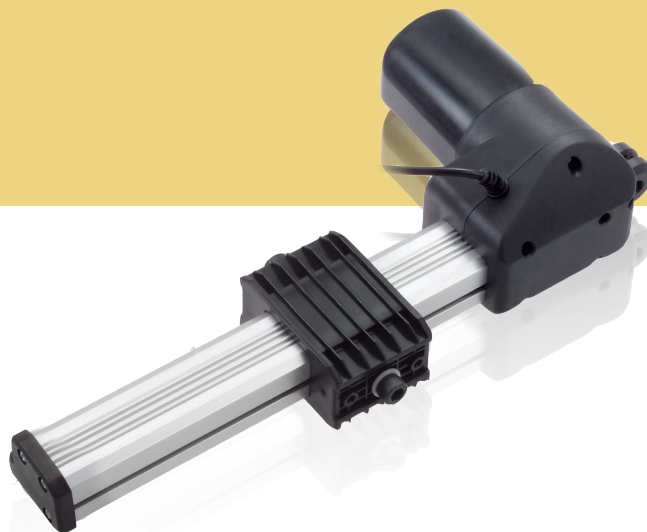


# TA5 Series

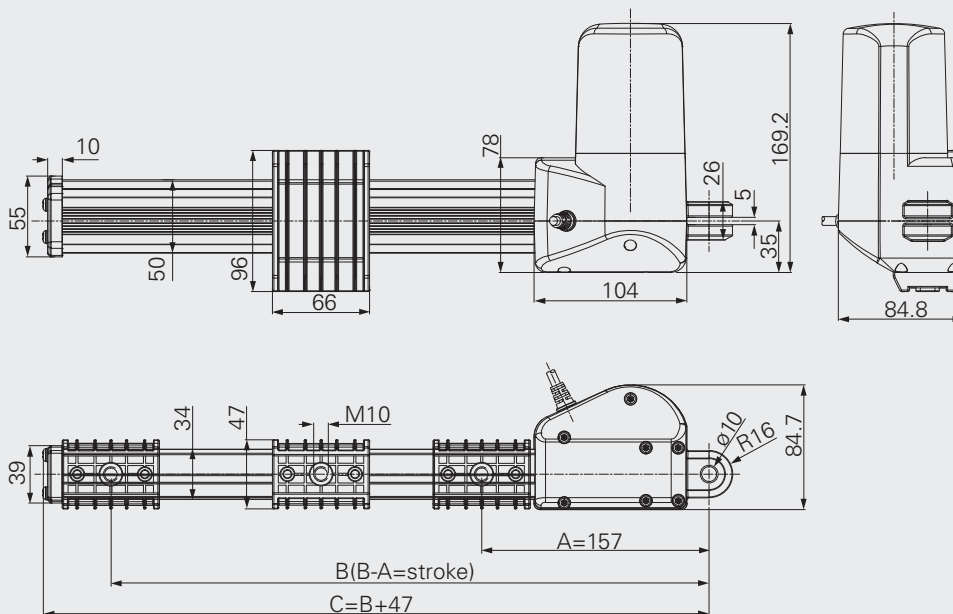
## Comfort-motion

### Feature

- Voltage of motor: 12V DC, 24V DC, or 36V DC
- Maximum load: 6,000N in pull/push
- Maximum speed: 56.7mm/s
- Color: black
- Certificate: EMC, ETL, RoHS, and EN60601-1
- Options: Hall sensor, L-shaped bracket
- Specially designed for recliner
- Outer tube assembled by 3 aluminum pieces



Appendix				
CODE	Max. Load (KG)	Typical Current at Rated Load (A)	Typical Speed	
			No Load (32VDC) mm/s	Rated Load (24VDC) mm/s
<b>Standard Motor (2600RPM)</b>				
A	100	3.8	43.2	23.6
C	500	4	6.6	3.5
D	600	4	5.4	2.5
E	300	4	10.7	5.4
F	250	4	15.8	7.8
G	200	3.8	21.9	11.9
H	150	4.2	32.8	17.8
J	300	4.2	10.7	5
<b>Fast Motor(3400RPM)</b>				
L	600	4.8	7.2	3.5
M	300	4.8	14.6	7.5
N	250	4.8	21.4	10.8
O	200	4.5	28.7	14.7
P	150	5	43.2	20.8
Q	300	5.2	14.6	6.8
S	100	4.5	56.7	30.5
T	500	4.8	8.9	4.6



# TA5 Ordering Key:

Version: G

REV.G	T	A	5	-	X	X	-	X	X	X	-	X	X	X	X	X	X								
<b>Voltage</b>																									
12V					1																				
24V					2																				
36V					3																				
<b>Load and speed</b>																									
See Appendix																									
<b>Stroke</b>																									
<b>Retracted length</b>																									
<b>Bracket on the front end</b>																									
Without																	0								
L-shaped bracket																	1								
Flat plate																	2								
<b>Functions for limit switches</b>																									
Two switches at the retracted/extended positions to cut current.																	1								
Two switches at the retracted/extended positions to cut current with the third one in between to send signal.																	2								
Two switches at the retracted/extended positions to send signal.																	3								
Two switches at the retracted/extended positions and the third one in between to send signal.																	4								
Customized																	A								
<b>Output signals</b>																									
Without																									0
Hall sensor																									2
<b>Plug</b>																									
TiMOTION's standard 6pin plug																							1		
Tinned leads																							2		
Customized																							A		
<b>Cable length</b>																									
Straight, 500mm																									1
Straight, 750mm																									2
Straight, 1000mm																									3
Straight, 1250mm																									4
Straight, 1500mm																									5
Straight, 2000mm																									6
Coiled, 200mm																									7
Coiled, 400mm																									8
Customized																									A

Version	Date	Description
G	2010/6/16	Plug type re-organization- separate into: #3#4#B#C