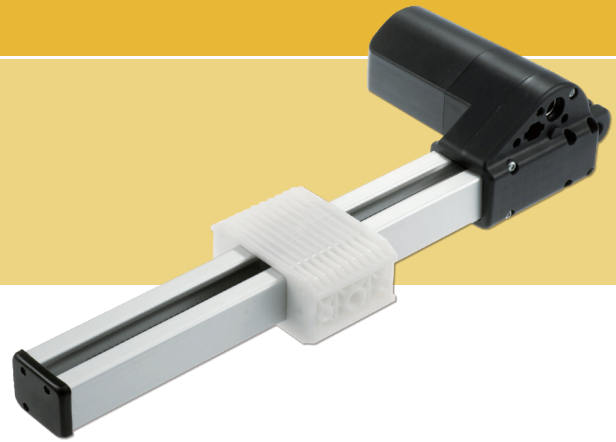


TA5P Series

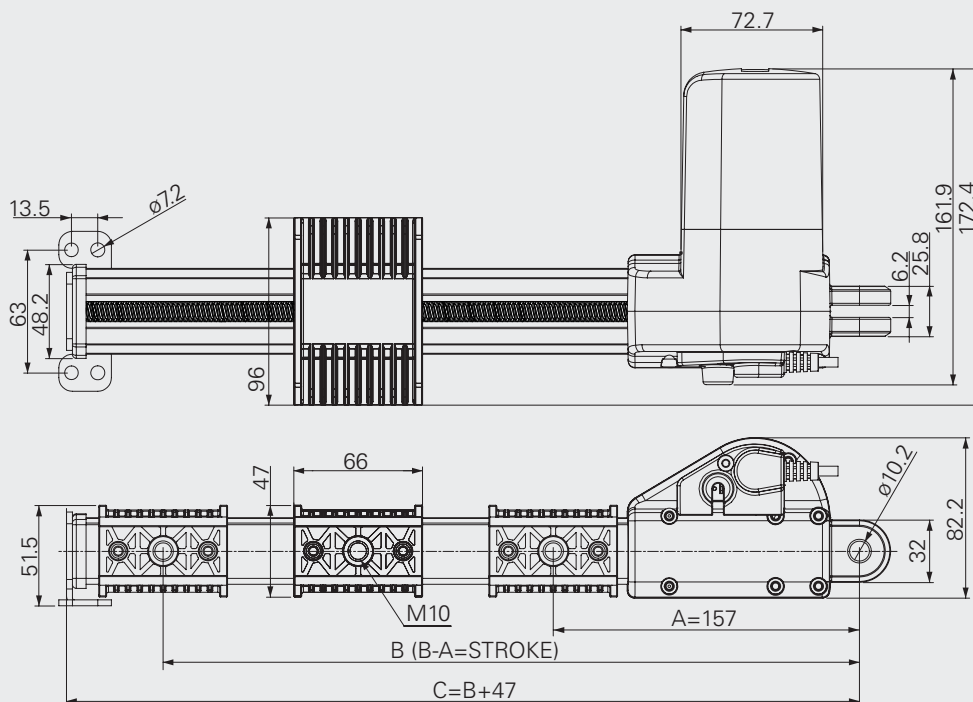


Comfort-motion

Feature

- Voltage of motor: 12V DC, 24V DC, or 36V DC
- Maximum load: 6,000N in pull/push
- Maximum speed: 56.7mm/s
- Color: black
- Certificate: EMC and RoHS
- Options: Hall sensor, L-shaped bracket
- Specially designed for recliner
- One-piece design, stronger structure; cable-free

Appendix				
CODE	Max. Load (KG)	Typical Current at Rated Load (A)	Typical Speed	
			No Load (32VDC) mm/s	Rated Load (24VDC) mm/s
Standard Motor (2600RPM)				
A	100	3.8	43.2	23.6
C	500	4	6.6	3.5
D	600	4	5.4	2.5
E	300	4	10.7	5.4
F	250	4	15.8	7.8
G	200	3.8	21.9	11.9
H	150	4.2	32.8	17.8
J	300	4.2	10.7	5
Fast Motor(3400RPM)				
L	600	4.8	7.2	3.5
M	300	4.8	14.6	7.5
N	250	4.8	21.4	10.8
O	200	4.5	28.7	14.7
P	150	5	43.2	20.8
Q	300	5.2	14.6	6.8
S	100	4.5	56.7	30.5
T	500	4.8	8.9	4.6



TA5P Ordering Key:

Version: A

REV.A	T	A	5P	-	X	X	-	X	X	X	-	X	X	X	X	X	X	
Voltage																		
12V					1													
24V					2													
36V					3													
Load and speed																		
See Appendix																		
Stroke																		
Retracted length																		
L-shaped bracket on the front																		
Without																	0	
With																	1	
Functions for limit switches																		
Two switches at the retracted/extended positions to cut current.																		1
Two switches at the retracted/extended positions to cut current with the third one in between to send signal.																		2
Two switches at the retracted/extended positions to send signal.																		3
Two switches at the retracted/extended positions and the third one in between to send signal.																		4
Customized																		A
Output signals																		
Without																		0
Hall sensor																		2
Plug																		
TiMOTION's standard 6pin plug																		1
Tinned leads																		2
Customized																		A
Cable length																		
No cable (handset and power socket on gear housing)																		0
Straight, 500mm																		1
Straight, 750mm																		2
Straight, 1000mm																		3
Straight, 1250mm																		4
Straight, 1500mm																		5
Straight, 2000mm																		6
Coiled, 200mm																		7
Coiled, 400mm																		8
Customized																		A

Version	Date	Description
A	2010/11/3	1st released