

# TBB Series

+

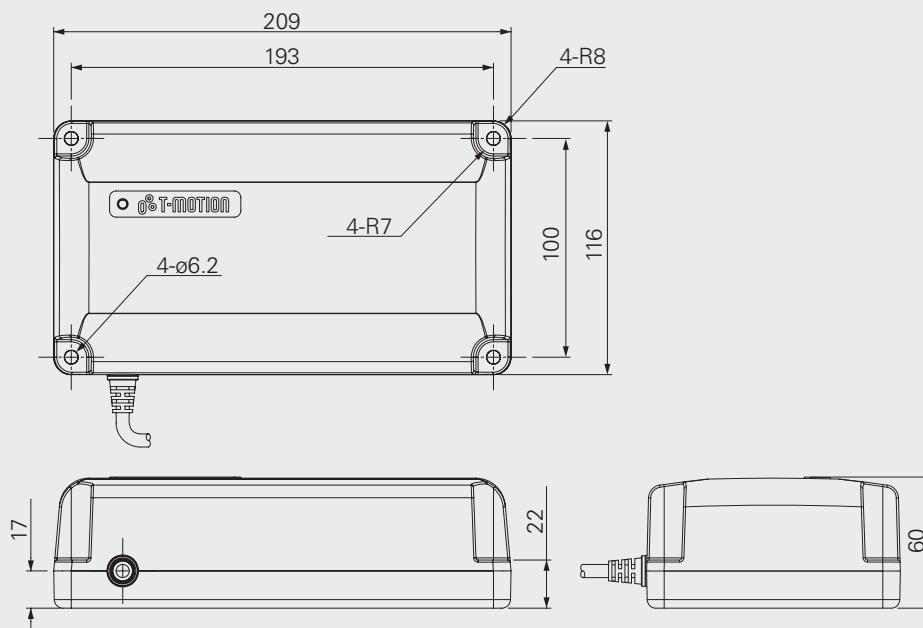


## ○ Care-motion

### Feature

- Capacity: 2.0 Ah
- Color: black or grey
- LED indication (for charge/discharge status)
- Protection class: IP66

+



+

**TBB Ordering Key**

Version: A

<b>REV.A</b>	<b>T B B - X X</b>
<b>Color</b>	
Black	1
Grey( Pantone 428C)	2
<b>Cable length</b>	
Straight, 1m	1
Straight, 2m	2
Customized	A

<b>Version</b>	<b>Date</b>	<b>Description</b>
A	2008/5/7	1st released

Printed: Dec.2011