

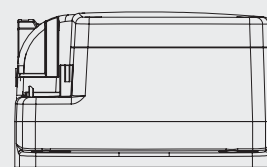
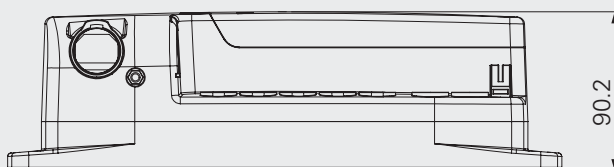
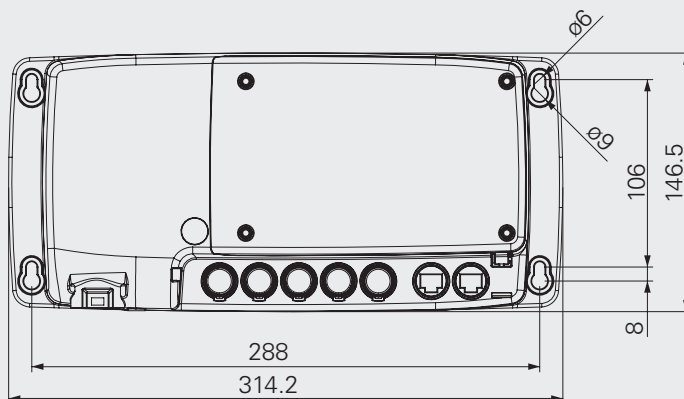
TC10 Series



○ Care-motion

Feature

- Voltage: 100V AC, 120V AC, or 230V AC
- Plug support: EU, USA, AUS, UK, JPN, or customized
- Number of actuators: 1~5
- Number of handsets: 1~2
- Color: black or grey
- Protection class: IP42, IP54, or IP66
- EN60601-1 and UL60601-1 compliant
- Built-in transformer type: toroidal or SMPS
- Maximum output: 29V DC, 5A
- Built-in power saving module
- Other options: built-in battery and alarm buzzer



TC10 Ordering Key:

Version: B

REV. B	T	C	1	0	-	X	X	X	X	-	X	X	-	X	X	X	
Voltage																	
100VAC						1											
120VAC						2											
230VAC						3											
Plug																	
EU							1										
USA							2										
AUS							3										
UK							4										
JPN							5										
Others							A										
Number of Actuators																	
1~5								1~5									
Handset input																	
1											1						
2											2						
Back up battery																	
Without											0						
With											1						
Color																	
Black											1						
Grey (Pantone428C)											2						
AC cable length																	
Straight, 2m														1			
Straight, 4m														2			
Customized														A			
IP protection																	
IP42															1		
IP54															2		
IP66															3		
Buzzer																	
Without																0	
With																1	
TCM (automatic stand-by when not in use)																	
Without																0	
With																1	
Grounding function																	
Without																	0
With																	1
Version	Date	Description															
B	2011/4/1	Add voltage and plug options.															