

TH1 Series

+

○ Comfort-motion ○ Care-motion

Feature

Housing

- ABS as standard material.
- Optional V0 plastic for Medical requirement
- Screw-free hook

Button

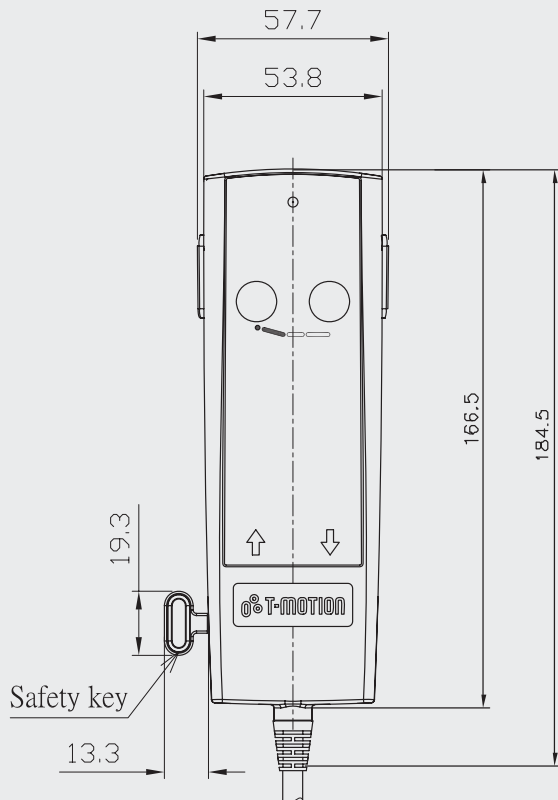
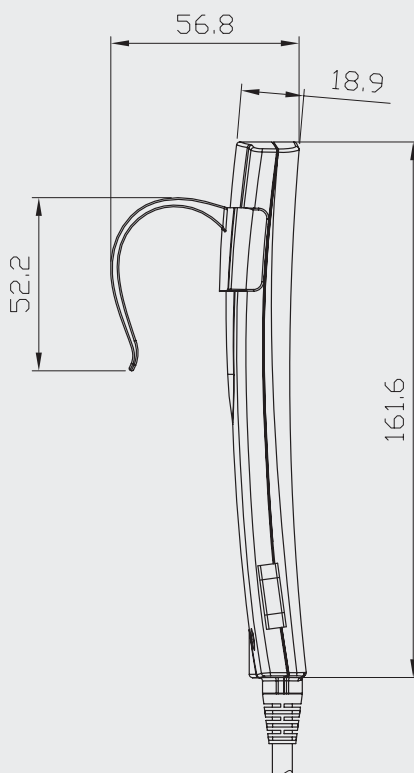
- Up to 10 Keys
- Easy-to-touch

General

- Slim and elegant design for ergonomic design
- Easy to clean and maintain
- Safety Key will be available as option
- compatible with all TC-series control box



+



+

TH1 Ordering Key:

Version: E

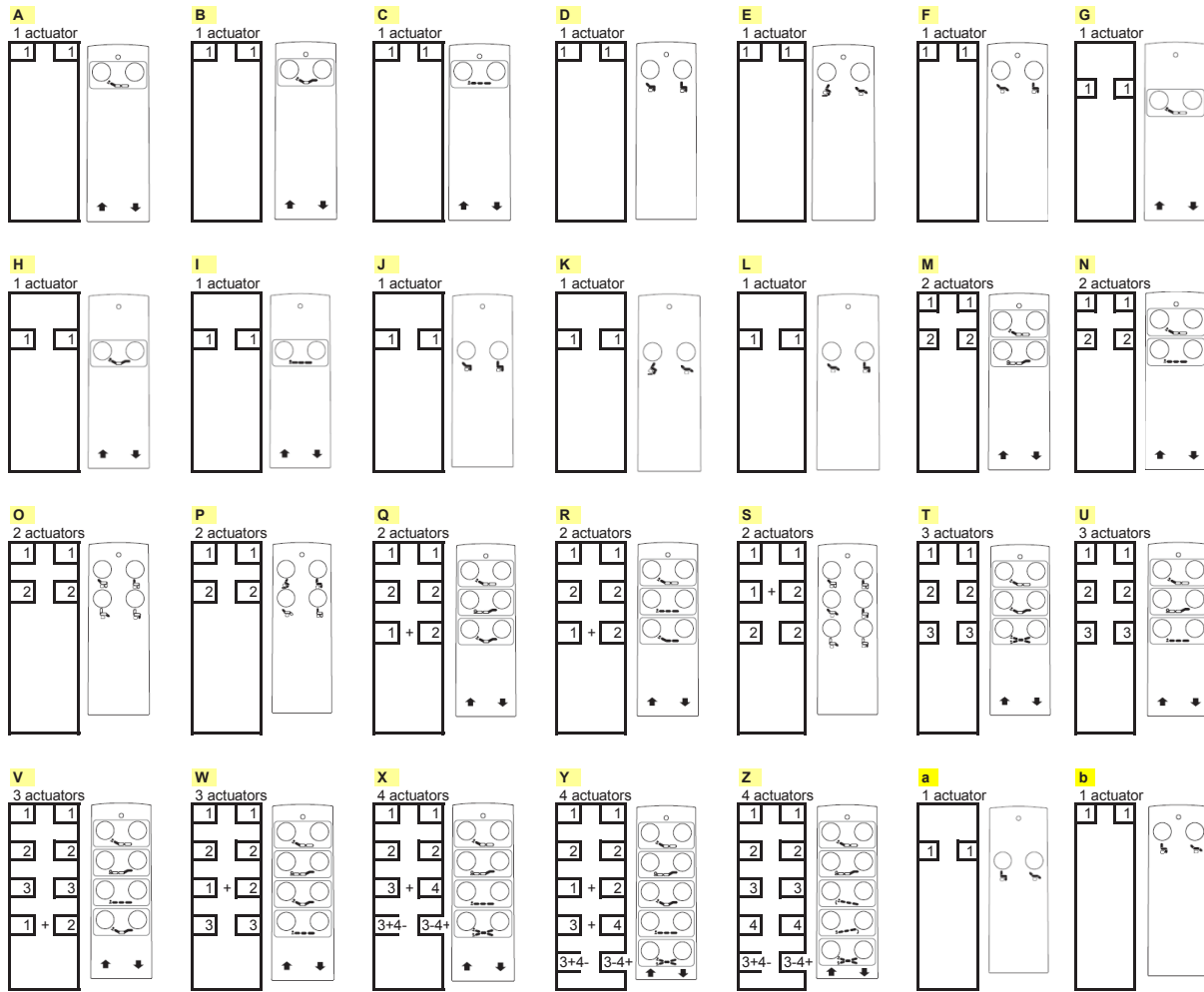
REV.E	T	H	1	-	X	X	X	-	X	X	X
Number of actuators											
1					1						
2					2						
3					3						
4					4						
Plug											
DIN 8P, for TC2/TC3/TC7					1						
RJ 10P, 90°, for TC1/TC8/TC10					2						
DIN 8P, 180°, for connector					4						
RJ 10P, 180°, for TC6/TC9/connector					5						
Customized					A						
Color											
Black					1						
Grey (Pantone 428C)					2						
IP protection											
None						0					
IP42						1					
IP54						2					
IP66						3					
Safety key											
Without									0		
With									1		
Hook											
None									0		
Standard									1		
Magnetic									2		
Key definition											
A~; see appendix										A~	
Customized										1	
Cable length											
1~; see appendix											1~
Customized											A

Version	Date	Description
E	2011/6/20	Amend plug option #4 and add option #5

Printed: Nov. 2011

Appendix:

Key Definition:



Cable Length:

CODE	Length (mm)		
	A	B	C
1	1000	300	200
2	1200	300	300
3	1400	300	400
4	2400	0	0
5	0	600	0
6	1000	200	200
A	Customized		

