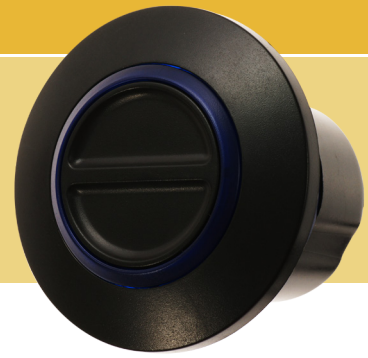


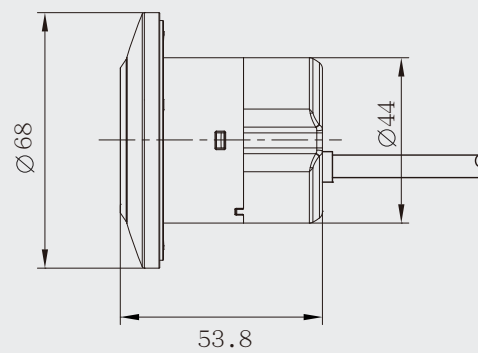
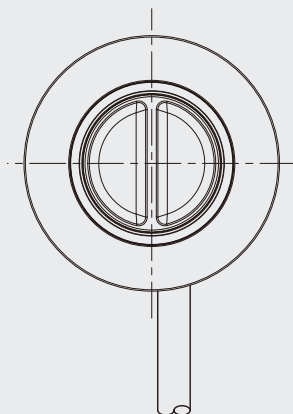
TH19 Series



○ Comfort-motion

Feature

- Maximum available buttons: 2
- Specially designed for single motor recliner
- Effortless operation with thermo-sensor buttons
- Mounted into the recliner directly



TH19 Ordering Key:

Version: A

REV.A	T	H	1	9	-	X	X	X
Plug								
DIN 5P, for TDC						1		
DIN 8P, for TC2 / TC3 / TC7						2		
DIN 8P, 180°, for extension cable						4		
RJ 10P, 180°, for extension cable						5		
RJ 10P, 90°, for TC1/TC6/TC8/TC9/TC10/TC14						6		
RJ 10P, 180°, for TC11						7		
Customized						A		
Color								
Black							1	
Grey (Pantone 428C)							2	
Cable Length								
Straight, 1.5m								1
straight, 2m								2
Customized								A

Version	Date	Description
A	2011/12/30	1st released

Printed: Jan. 2012