

# TH7 Series



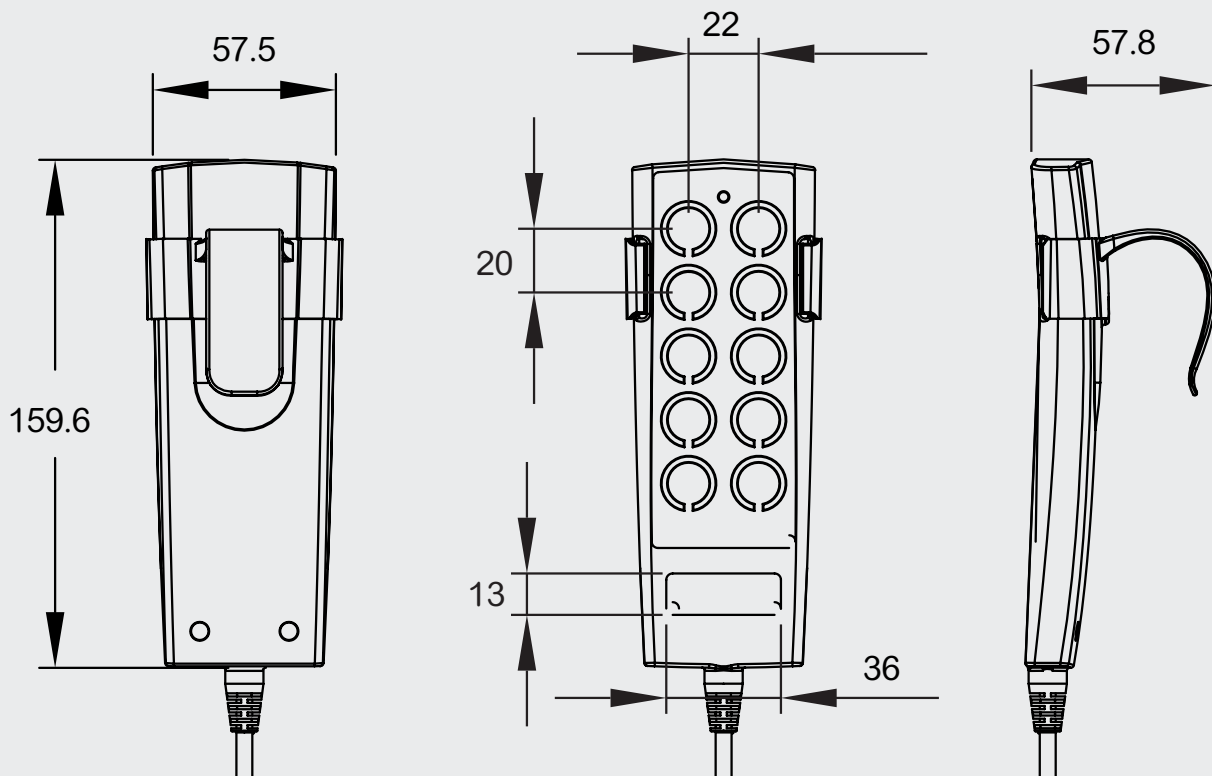
## ○ Comfort-motion ○ Care-motion

### Feature

- Up to 8 buttons (10 buttons for IP66)
- ABS as standard material
- LED indication
- Compatible with all TiMOTION TC-series control box
- Comply with CE & RoHS requirements
- Protection class: IP42

### Options

- IP54 or IP66 for membrane cover
- Safety key
- Color: black or grey (Pantone 428C)
- V0 fire resistant material for medical requirement



**TH7 Ordering Key:**

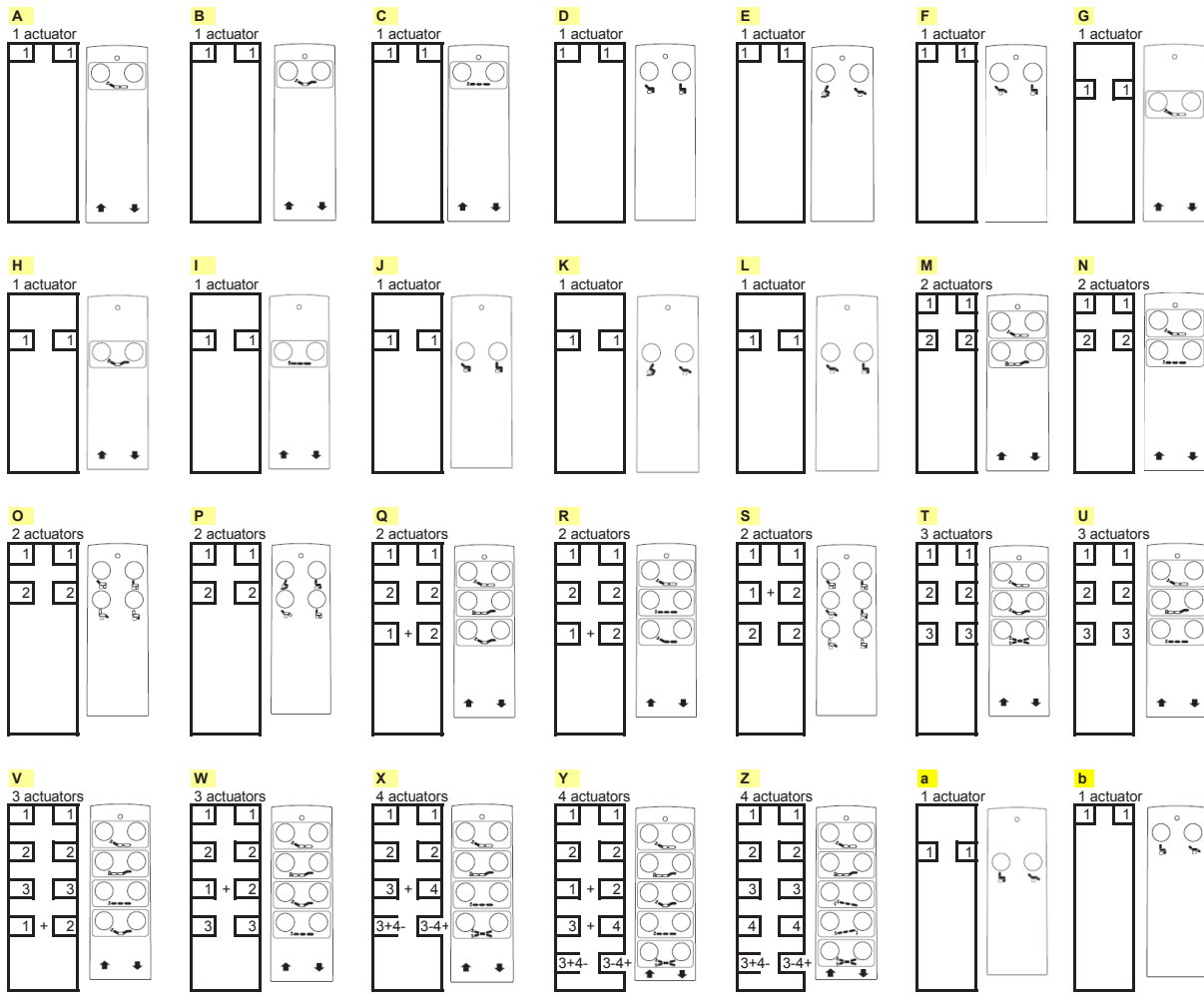
Version: C

REV.C	T	H	7	-	X	X	-	X	X	X	X	X
<b>Number of actuators</b>												
1					1							
2					2							
3					3							
4					4							
<b>Plug</b>												
DIN 8P, for TC2 / TC3 /TC7					1							
RJ 10P, 90°, for TC1 / TC8 / TC10					2							
DIN 8P, 180°, for extension cable					4							
RJ 10P,180°, for TC6 / TC9 / extension cable					5							
Customized					A							
<b>Color</b>												
Black												1
Grey (Pantone 428C)												2
<b>IP protection</b>												
None												0
IP42												1
IP54												2
IP66												3
<b>Safety key</b>												
Without												0
With												1
<b>Key definition</b>												
A~; see appendix												A~
Customized												1
<b>Cable length</b>												
1~; see appendix												1~
Customized												A

Version	Date	Description
C	2011/6/22	Revise plug option #4 and add option

# Appendix:

## Key Definition:



## Cable Length:

CODE	Length (mm)		
	A	B	C
1	1000	300	200
2	1200	300	300
3	1400	300	400
4	2400	0	0
5	0	600	0
6	1000	200	200
A	Customized		

