

TH9 Series



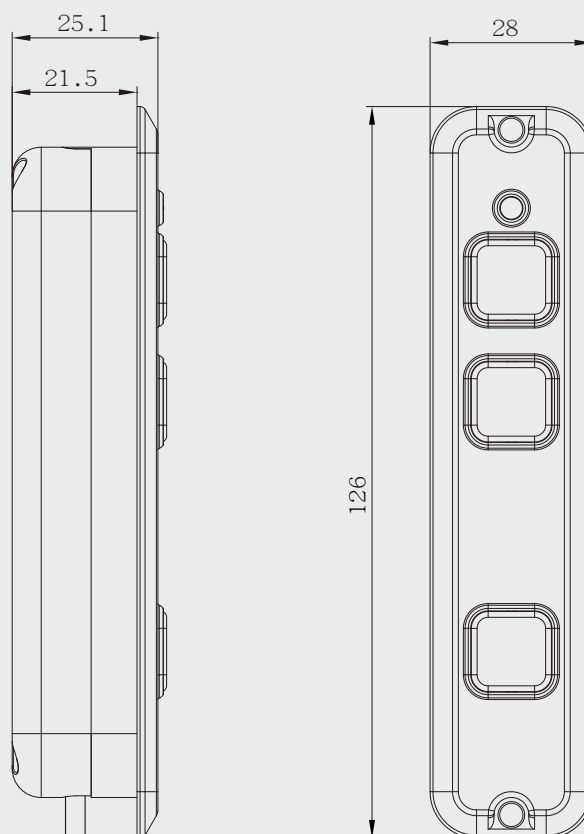
+

○ Comfort-motion

Feature

- Connected actuators: 1
- Maximum available buttons: 3
- Color: black or grey
- Specific design for baby crib

+



+

TH9 Ordering Key:

Version: A

REV.A	T	H	9	-	X	X	X
Plug							
DIN 5P, for TDC					1		
DIN 8P, for TC2,TC3,TC7					2		
DIN 8P, 180°, for Extension Cable					4		
RJ 10P, 180°, for Extension Cable					5		
RJ 10P, 90°, for TC1/TC6/TC8/TC9/TC10/TC14					6		
RJ 10P, 180°, for TC11					7		
Customized					A		
Color							
Black						1	
Grey (Pantone 428C)						2	
Cable Length							
Straight, 1.5m							1
Straight, 2m							2
Customized							A

Version	Date	Description
A	2011/12/30	1st released

Printed: Jan. 2012