

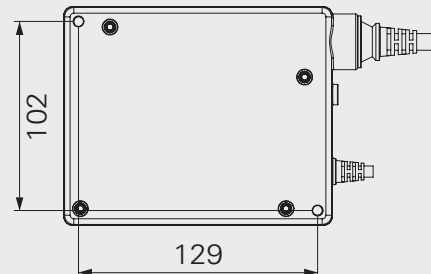
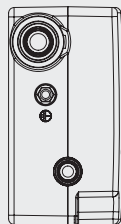
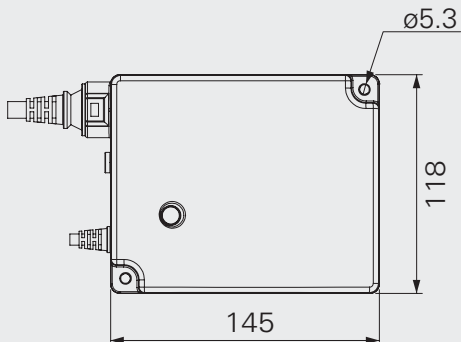
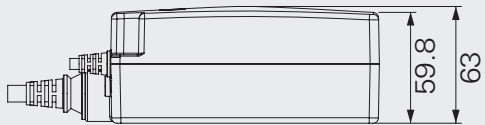
# TP6 Series



## ○ Care-motion

### Feature

- Type: SMPS
- Input voltage: 100~240V AC
- Maximum output: 31.5V DC, 5A
- Plug support: EU, USA, AUS, UK, JPN, or customized
- Color: black or grey
- Protection class: IP66



# TP6 Ordering Key

Version: A

REV.A	T	P	6	-	X	X	X	X
<b>Plug</b>								
EU					1			
USA					2			
AUS					3			
UK					4			
JPN					5			
Others					A			
<b>Color</b>								
Black						1		
Grey (Pantone 428C)						2		
<b>Cable length</b>								
Mount on TC8							0	
AC cable: Straight, 2m; DC cable: Straight, 1m							1	
AC cable: Straight, 4m; DC cable: Straight, 1m							2	
Customized							A	
<b>Grounding function</b>								
Without								0
With								1

Version	Date	Description
A	2011/5/7	1st released

Printed: Nov. 2011